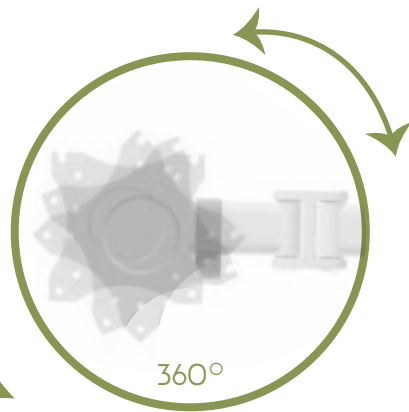
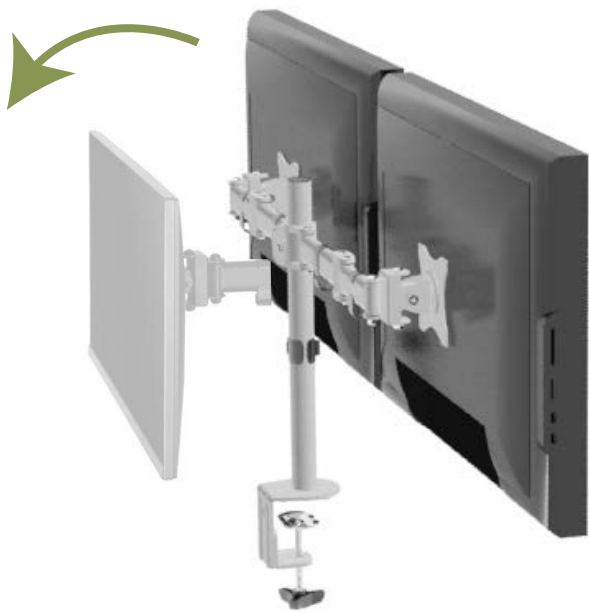


Monitor Arms Height Adjustable

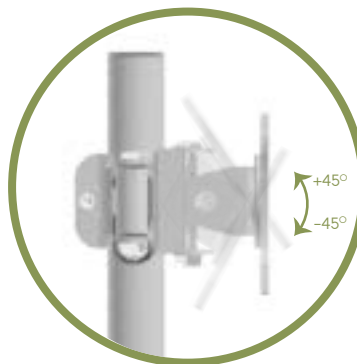


Swivel monitors right and left for maximum viewing flexibility

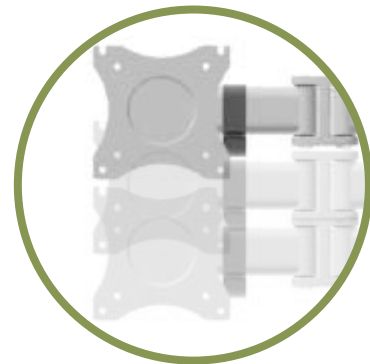


360°

Portrait and landscape orientation



Freely adjusting height for an optimal ergonomic position



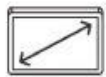
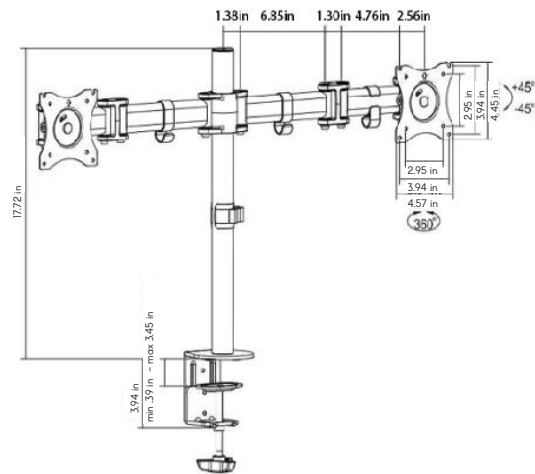
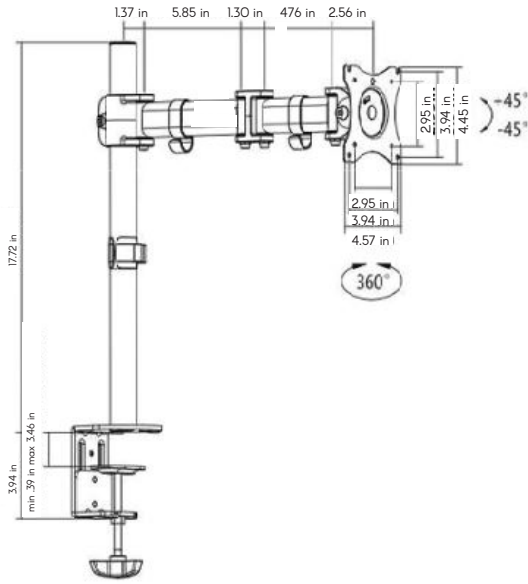
Freely adjusting height for an optimal ergonomic position



GATEWAY office furniture

800.815.1224 | gatewayofficefurniture.com

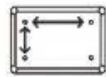
Monitor Arms Height Adjustable



Screen Size
13"-27"



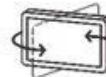
Weight Capacity
8kg/17.6lbs



VESA Compatible
75x75 100x100



Tilt Range
+45° ~ -45°



Swivel Range
180°



Screen Level
360°



Cable Management

Products	SKU#	Weight	List Price
Single Simple Height Adjustment	5TAM0601SV	10 lbs	\$185
Dual Simple Height Adjustment	5TAM0602SV	12 lbs	\$229